

# T3PS16081P/T3PS30051P Fact Sheet

## Programmable Power Supplies



### Debug with Confidence 30 Volts, 8 Amps, 150 Watts



#### Models and Characteristics

T3PS16081P	0 V – 16 V	0 – 8 A	128 Watts	Programmable
T3PS30051P	0 V – 30 V	0 – 5 A	150 Watts	Programmable

#### Tools for Improved Debugging

- Single high performance, high precision programmable output. ✓ Ideal for a wider range of bench power supply application coverage.
- Compact, modern, easy to use, reliable, low noise linear design  $\leq 350 \mu\text{Vrms}$ . ✓ Ideal for electronic components/ systems, battery, IoT, digital, analog and audio applications.
- High resolution 2.8 inch TFT LCD Display with 240 x 320 pixels. ✓ Large, clear display aids setup and ease of use.
- Two output modes: standard 2-wire or 4-wire using remote sense capability. ✓ Delivers accurate, precision voltage directly to the DUT.
- Provides power up to 128/150 Watts. ✓ Ideal for low to medium power applications.
- Rear panel USB Device and LAN interface connectors. ✓ Support for the maximum control flexibility.
- 3 years warranty as standard. ✓ Reliable product gives piece of mind.

For more information, please contact:



ADMESS Vertriebs GmbH  
Ernst-Kiefer-Straße 9  
67292 Kirchheimbolanden  
Germany

Tel.: +49 (0) 6352 / 78 99 8 - 0  
Telefax: +49 (0) 6352 / 78 99 8 - 20  
E-Mail: [info@admess.de](mailto:info@admess.de)  
[www.admess.de](http://www.admess.de)



# T3PS16081P/T3PS30051P Fact Sheet

## Programmable Power Supplies

### Models and Specifications

Model	T3PS16081P	T3PS30051P
Number of Channels	1	1
Voltage Range	0 – 16 V	0 – 30 V
Current Range	0 – 8 A	0 – 5 A
Maximum Power	128 W	150 W

#### Constant Voltage

Load Regulation	≤ 0.01 % + 2 mV
Ripple & Noise	≤ 350 μVrms / 3 mVpp (20 Hz – 20 MHz)
Recovery Time (50 % load change, minimum load 0.5 A)	< 50 μs

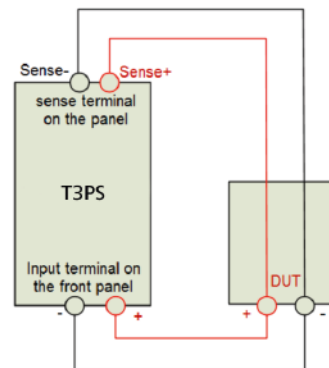
#### Constant Current

Line Regulation	≤ 0.2 % + 3 mA
Load Regulation	≤ 0.2 % + 3 mA
Ripple & Noise	≤ 2 mArms

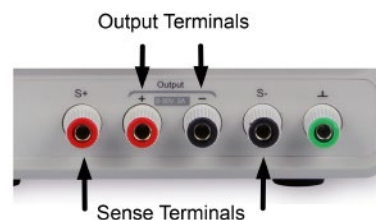
#### Other

Remote Sense Terminals	Yes
Programmable	Yes via USB and LAN
Technology	Linear
Display	2.8 inch color TFT LCD, 240 x 320 pixels
Dimensions	154.6 mm (W) x 144.5 mm (H) x 280 mm (D)
Weight	5.5 kg
Warranty	3 Years

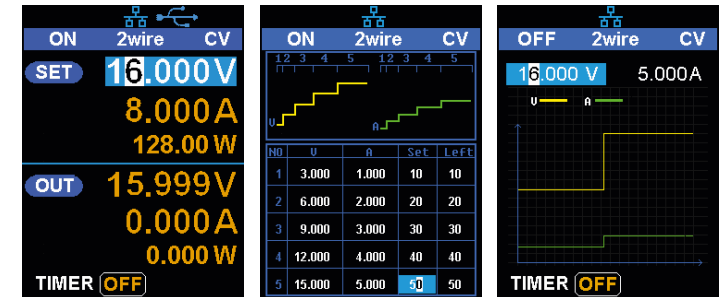
### 4-Wire Sense Capability



4-Wire Sense compensates for losses in cabling between the DUT and terminals of the T3PS30051P/T3PS16081P power supply.



Using remote sense is an effective way to improve power delivery accuracy at the DUTs terminals, effectively removing the additional error due to the voltage drop in the connection wiring.



Multiple display formats for ease of use.

### Excellent Performance

- 5 digit voltage, 4 digit current display with minimum resolution of 1 mV / 1 mA.
- Low ripple and noise of ≤ 350 μVrms / 3 mVpp, < 2 mArms.
- Fast < 50 μs transient response time.
- Use standard 2-Wire mode, or 4-Wire Sense capability to compensate for wiring losses.

### Great Connectivity

- LAN and USB device port (USBTMC) for instrument control.
- LabView driver and SCPI programming support.

### Smart Capabilities

- Intelligent temperature controlled fan reduces noise.
- Clear graphical interface with waveform display function.
- Save/recall 5 internal groups of parameters.
- Multiple display formats supporting numerical and graphical modes.